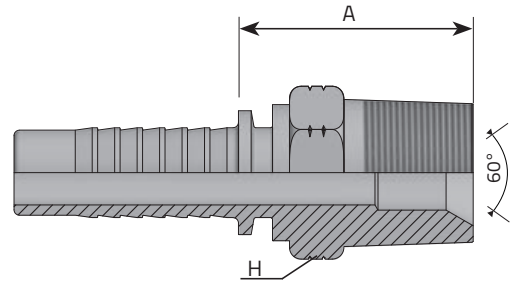


## NPTF MALE (1)

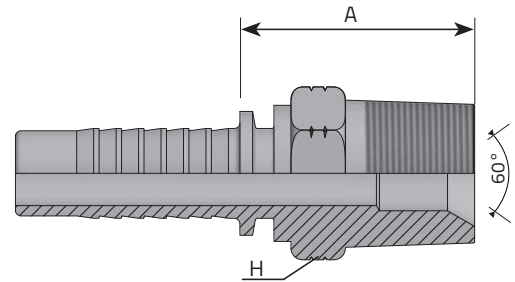
MASCHIO NPTF SV 60°  
 MÂLE NPTF CÔNE 60°  
 AGN 60° INNENKONUS (NPTF)  
 MACHO NPTF CONO 60°



Code	Tube		Thread		Dimensions			Pressure	
	D.N.	Hose	Diam	T	t/1"	H	A	Bar	Psi
		Inch	mm	Inch		mm	mm		
MNPT0302	-3	3/16"	4.8	1/8"	27	12	22	350	5076
<b>MNPT0304</b>	-3	3/16"	4.8	1/4"	18	15	22	415	6019
MNPT0402	-4	1/4"	6.4	1/8"	27	12	22.5	350	5076
<b>MNPT0404</b>	-4	1/4"	6.4	1/4"	18	15	27	450	6526
MNPT0406	-4	1/4"	6.4	3/8"	18	19	28	450	6526
<b>MNPT0408</b>	-4	1/4"	6.4	1/2"	14	22	34	350	5076
MNPT0504	-5	5/16"	7.9	1/4"	18	15	27	350	5076
<b>MNPT0506</b>	-5	5/16"	7.9	3/8"	18	19	28	350	5076
MNPT0508	-5	5/16"	7.9	1/2"	14	22	28	415	6019
<b>MNPT0604</b>	-6	3/8"	9.5	1/4"	18	15	28	350	5076
MNPT0606	-6	3/8"	9.5	3/8"	18	19	28	450	6526
<b>MNPT0608</b>	-6	3/8"	9.5	1/2"	14	22	34	415	6019
MNPT0806	-8	1/2"	12.8	3/8"	18	19	28	415	6019
<b>MNPT0808</b>	-8	1/2"	12.8	1/2"	14	22	34.5	415	6019
MNPT0812	-8	1/2"	12.8	3/4"	14	27	34.5	415	6019
<b>MNPT1008</b>	-10	5/8"	16	1/2"	14	24	34.5	350	5076
MNPT1012	-10	5/8"	16	3/4"	14	27	36.5	350	5076
<b>MNPT1212</b>	-12	3/4"	19	3/4"	14	27	37	350	5076
MNPT1216	-12	3/4"	19	1"	11.5	36	45	280	4061

## NPTF MALE (2)

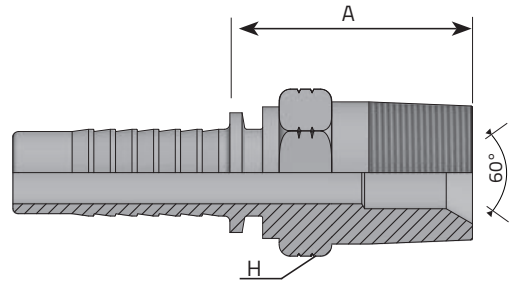
MASCHIO NPTF SV 60°  
 MÂLE NPTF CÔNE 60°  
 AGN 60° INNENKONUS (NPTF)  
 MACHO NPTF CONO 60°



Code	Tube		Thread		Dimensions			Pressure	
	D.N.	Hose	Diam	T	t/1"	H	A	Bar	Psi
		Inch	mm	Inch		mm	mm		
MNPT1612	-16	1"	25.4	3/4"	14	32	38	280	4061
<b>MNPT1616</b>	<b>-16</b>	<b>1"</b>	<b>25.4</b>	<b>1"</b>	<b>11.5</b>	<b>36</b>	<b>46</b>	<b>280</b>	<b>4061</b>
MNPT1620	-16	1"	25.4	1.1/4"	11.5	46	45.5	210	3046
<b>MNPT2020</b>	<b>-20</b>	<b>1.1/4"</b>	<b>31.8</b>	<b>1.1/4"</b>	<b>11.5</b>	<b>46</b>	<b>46</b>	<b>210</b>	<b>3046</b>
MNPT2024	-20	1.1/4"	31.8	1.1/2"	11.5	50	47	185	2683
<b>MNPT2424</b>	<b>-24</b>	<b>1.1/2"</b>	<b>38.1</b>	<b>1.1/2"</b>	<b>11.5</b>	<b>50</b>	<b>47.3</b>	<b>185</b>	<b>2683</b>
MNPT3232	-32	2"	50.8	2"	11.5	65	57	165	2393

## NPTF MALE - LONG NOSE

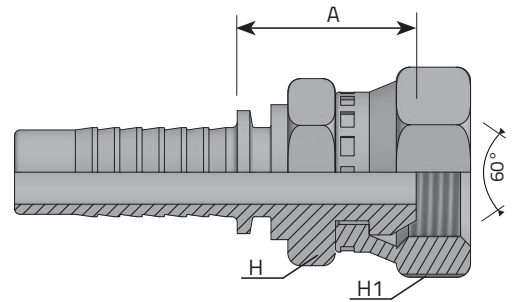
MASCHIO NPTF SV 60°  
 MÂLE NPTF CÔNE 60°  
 AGN 60° INNENKONUS (NPTF)  
 MACHO NPTF CONO 60°



Code	Tube		Thread			Dimensions		Pressure	
	D.N.	Hose	Diam	T	t/1"	H	A	Bar	Psi
		Inch	mm	Inch		mm	mm		
MNPT0404LN	-4	1/4"	6.4	1/4"	18	15	37	450	6526
MNPT0406LN	-4	1/4"	6.4	3/8"	18	19	38	450	6526
MNPT0604LN	-6	3/8"	9.5	1/4"	18	15	38	450	6526
MNPT0606LN	-6	3/8"	9.5	3/8"	18	19	38	450	6526

## NPSM FEMALE

FEMMINA NPSM  
 FEMELLE DROIT NPSM  
 DKR-F FLACHDICHTEND (NPSM-GEWINDE)  
 HEMBRA RECTA NPSM

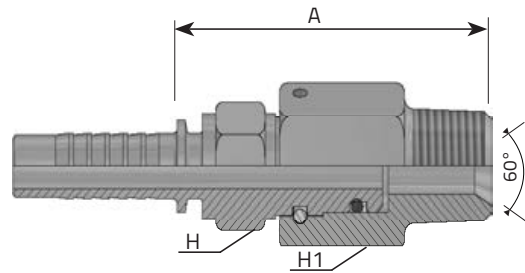


Code	Tube		Thread		Dimensions				Pressure	
	D.N.	Hose	Diam	T	t/1"	H	H1	A	Bar	Psi
	Inch	mm	Inch		mm	mm	mm			
FNPSM0404	-4	1/4"	6.4	1/4"	18	19	19	24	345	5000
FNPSM0606	-6	3/8"	9.5	3/8"	18	22	22	26.5	276	4000
FNPSM0808	-8	1/2"	12.8	1/2"	14	22	27	29	241	3500
FNPSM1212	-12	3/4"	19	3/4"	14	27	32	37	155	2250
FNPSM1616	-16	1"	25.4	1"	11.5	32	38	40.5	138	2000
FNPSM2020	-20	1.1/4"	31.8	1.1/4"	11.5	41	50	43	112	1625

## NPTF SWIVEL MALE

MASCHIO NPTF GIREVOLE SV 60°  
 MÂLE NPTF CÔNE 60°  
 AGN 60° INNENKONUS (NPTF-GEWINDE)  
 MACHO NPTF GIRATORIO CONO 60°

\* NOT TO BE USED AS A LIVE SWIVEL  
 DA NON USARE COME APPLICAZIONE ROTANTE  
 NE PAS UTILISER COMME APPLICATION ROTATIVE  
 NICHT ZU BENUTZEN ALS DREHVERSCHRAUBUNG  
 NO USAR COMO UNA PIEZA GIRATORIA VIVA

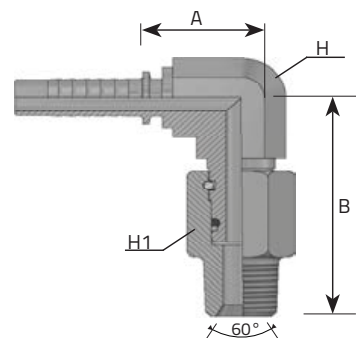


	Code	Tube		Thread		Dimensions			Pressure		
		D.N.	Hose	Diam	T	t/1"	H	H1	A	Bar	Psi
			Inch	mm	Inch		mm	mm	mm		
*	MNPTF0404SW	-4	1/4"	6.4	1/4"	18	14	17	53	350	5076
*	MNPTF0406SW	-4	1/4"	6.4	3/8"	18	17	22	58,4	350	5076
*	MNPTF0604SW	-6	3/8"	9.5	1/4"	18	17	17	56	350	5076
*	MNPTF0606SW	-6	3/8"	9.5	3/8"	18	17	22	58,4	350	5076
*	MNPTF0608SW	-6	3/8"	9.5	1/2"	14	22	27	63	350	5076
*	MNPTF0806SW	-8	1/2"	12.8	3/8"	18	22	22	59,4	350	5076
*	MNPTF0808SW	-8	1/2"	12.8	1/2"	14	22	27	63,5	350	5076
*	MNPTF0812SW	-8	1/2"	12.8	3/4"	14	27	32	71,5	280	4061
*	MNPTF1212SW	-12	3/4"	19	3/4"	14	32	32	72	280	4061
*	MNPTF1616SW	-16	1"	25.4	1"	11.5	38	38	79,4	200	2901

## NPTF SWIVEL MALE 90° ELBOW (COMPACT FORGED)

MASCHIO 90° NPTF GIREVOLE SV 60° COMPATTA  
 MÂLE 90° NPTF COMPACTE CÔNE 60°  
 AGN 90° KOMPAKT 60° INNENKONUS (NPTF-GEWINDE)  
 MACHO NPTF GIRATORIO A 90° CONO 60° COMPACTA

\* NOT TO BE USED AS A LIVE SWIVEL  
 DA NON USARE COME APPLICAZIONE ROTANTE  
 NE PAS UTILISER COMME APPLICATION ROTATIVE  
 NICHT ZU BENUTZEN ALS DREHVERSCHRAUBUNG  
 NO USAR COMO UNA PIEZA GIRATORIA VIVA



	Code	Tube			Thread		Dimensions				Pressure	
		D.N.	Hose	Diam	T	t/1"	H	H1	B	A	Bar	Psi
		Inch		mm	Inch		mm	mm	mm	mm		
*	M90NPTF0404SW	-4	1/4"	6.4	1/4"	18	22	17	56	23	350	5076
*	M90NPTF0406SW	-4	1/4"	6.4	3/8"	18	22	22	58,4	23	350	5076
*	M90NPTF0604SW	-6	3/8"	9.5	1/4"	18	22	17	56	23	350	5076
*	M90NPTF0606SW	-6	3/8"	9.5	3/8"	18	22	22	58,4	23	350	5076
*	M90NPTF0608SW	-6	3/8"	9.5	1/2"	14	22	22	62,3	23	350	5076
*	M90NPTF0806SW	-8	1/2"	12.8	3/8"	18	22	27	58,4	23,5	350	5076
*	M90NPTF0808SW	-8	1/2"	12.8	1/2"	14	22	27	62,3	23,5	350	5076
*	M90NPTF0812SW	-8	1/2"	12.8	3/4"	14	27	32	72	25	280	4061
*	M90NPTF1212SW	-12	3/4"	19	3/4"	14	27	32	72	25	280	4061
*	M90NPTF1616SW	-16	1"	25.4	1"	11.5	33	38	77,9	32,5	200	2901