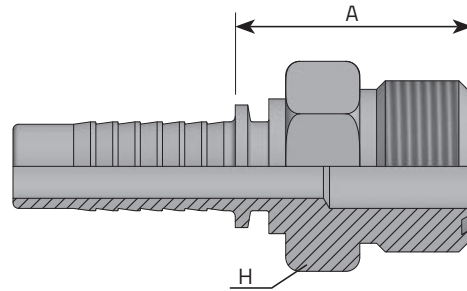


ORFS MALE

MASCHIO ORFS
MÂLE ORFS
AGF ORFS STIRNDICHTEND
MACHO ORFS

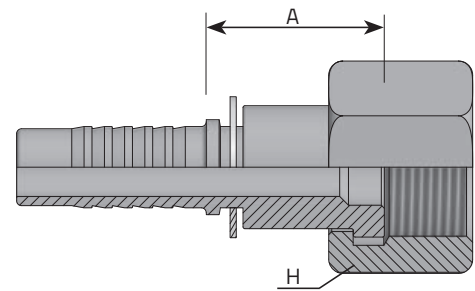


Code	Tube		Thread			Dimensions		Pressure	
	D.N.	Hose	Diam	T	t/1"	H	A	Bar	Psi
		Inch	mm	Inch		mm	mm		
MORFS0406	-4	1/4"	6.4	9/16"	18	17	24	450	6526
MORFS0409	-4	1/4"	6.4	11/16"	16	19	27.5	450	6526
MORFS0509	-5	5/16"	7.9	11/16"	16	19	27.5	350	5076
MORFS0609	-6	3/8"	9.5	11/16"	16	19	27.5	445	6454
MORFS0611	-6	3/8"	9.5	13/16"	16	22	30.5	445	6454
MORFS0613	-6	3/8"	9.5	1"	14	27	33.5	445	6454
MORFS0811	-8	1/2"	12.8	13/16"	16	27	34	415	6019
MORFS0813	-8	1/2"	12.8	1"	14	27	31.5	415	6019
MORFS0814	-8	1/2"	12.8	1.3/16"	16	32	36	415	6019
MORFS1013	-10	5/8"	16	1"	14	27	34	350	5076
MORFS1014	-10	5/8"	16	1.3/16"	12	32	37	350	5076
MORFS1214	-12	3/4"	19	1.3/16"	12	32	38	350	5076
MORFS1215	-12	3/4"	19	1.7/16"	12	41	38.5	350	5076
MORFS1615	-16	1"	25.4	1.7/16"	12	41	39.5	280	4061
MORFS2021	-20	1.1/4"	31.8	1.11/16"	12	46	40	210	3046
MORFS2432	-24	1.1/2"	38.1	2"	12	55	43	185	2683

ORFS FEMALE

FEMMINA ORFS
 FEMELLE DROIT ORFS
 ORFS – UNF GEWINDE
 HEMBRA RECTA ORFS

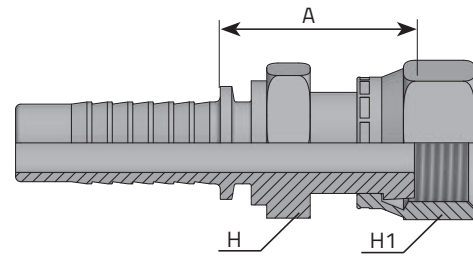
* CRIMPED NUT
 DADO PINZATO



Code	Tube		Thread		Dimensions			Pressure	
	D.N.	Hose	Diam	T	t/1"	H	A	Bar	Psi
		Inch	mm	Inch		mm	mm		
FORFS0406	-4	1/4"	6.4	9/16"	18	17	20.5	450	6526
FORFS0409	-4	1/4"	6.4	11/16"	16	22	23	450	6526
FORFS0411	-4	1/4"	6.4	13/16"	16	24	26	450	6526
FORFS0509	-5	5/16"	7.9	11/16"	16	22	23	350	5076
* FORFS0606	-6	3/8"	9.5	9/16"	18	19	25	445	6454
FORFS0609	-6	3/8"	9.5	11/16"	16	22	23.5	445	6454
FORFS0611	-6	3/8"	9.5	13/16"	16	24	26	445	6454
* FORFS0809	-8	1/2"	12.8	11/16"	16	22	29	415	6019
FORFS0811	-8	1/2"	12.8	13/16"	16	24	26.5	415	6019
FORFS0813	-8	1/2"	12.8	1"	14	30	30	415	6019
FORFS0814	-8	1/2"	12.8	1.3/16"	12	36	32.5	415	6019
FORFS1013	-10	5/8"	16	1"	14	30	30	350	5076
FORFS1014	-10	5/8"	16	1.3/16"	12	36	32	350	5076
FORFS1214	-12	3/4"	19	1.3/16"	12	36	33	350	5076
FORFS1215	-12	3/4"	19	1.7/16"	12	41	34	350	5076
* FORFS1614	-16	1"	25.4	1.3/16"	12	36	38.5	280	4061
FORFS1615	-16	1"	25.4	1.7/16"	12	41	35	280	4061
FORFS1621	-16	1"	25.4	1.11/16"	12	50	35	210	3046
FORFS2021	-20	1.1/4"	31.8	1.11/16"	12	50	35.5	210	3046
FORFS2432	-24	1.1/2"	38.1	2"	12	60	37	185	2683

ORFS FEMALE (DOUBLE HEXAGON)

FEMMINA DIRITTA ORFS DOPPIO ESAGONO
 FEMELLE DROIT ORFS
 ORFS – UNF GEWINDE
 HEMBRA GIRATORIA RECTA ORFS - DOBLE HEXAGONO

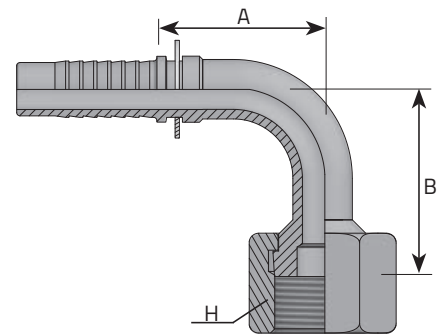


Code	Tube		Diam	Thread		Dimensions			Pressure	
	D.N.	Hose		T	t/1"	H	H1	A	Bar	Psi
	Inch	mm		Inch	mm	mm	mm	mm		
FORFS0406GIR	-4	1/4"	6.4	9/16"	18	19	19	30	450	6526
FORFS0409GIR	-4	1/4"	6.4	11/16"	16	17	22	31.5	450	6526
FORFS0509GIR	-5	5/16"	7.9	11/16"	16	17	22	32	350	5076
FORFS0606GIR	-6	3/8"	9.5	9/16"	18	17	17	30.5	445	6453
FORFS0609GIR	-6	3/8"	9.5	11/16"	16	22	22	34	445	6453
FORFS0611GIR	-6	3/8"	9.5	13/16"	16	24	24	40.5	445	6453
FORFS0809GIR	-8	1/2"	12.8	11/16"	16	22	22	31.5	415	6018
FORFS0811GIR	-8	1/2"	12.8	13/16"	16	24	24	41	415	6018
FORFS0813GIR	-8	1/2"	12.8	1"	14	24	30	39	415	6018
FORFS0814GIR	-8	1/2"	12.8	1.3/16"	16	30	36	44	315	4568
FORFS1013GIR	-10	5/8"	16	1"	14	24	30	39	350	5076
FORFS1014GIR	-10	5/8"	16	1.3/16"	16	30	36	44	350	5076
FORFS1213GIR	-12	3/4"	19	1"	14	27	30	42	350	5076
FORFS1214GIR	-12	3/4"	19	1.3/16"	16	30	36	44.6	350	5076
FORFS1215GIR	-12	3/4"	19	1.7/16"	12	36	41	51.5	350	5076
FORFS1614GIR	-16	1"	25.4	1.3/16"	16	36	36	45.5	280	4061
FORFS1615GIR	-16	1"	25.4	1.7/16"	12	36	41	52.5	280	4061
FORFS1621GIR	-16	1"	25.4	1.11/16"	12	41	50	55	210	3045
FORFS2021GIR	-20	1.1/4"	31.8	1.11/16"	12	41	50	56	210	3045
FORFS2432GIR	-24	1.1/2"	38.1	2"	12	50	60	61.2	185	2683

ORFS FEMALE SWIVEL 90° ELBOW

FEMMINA 90° ORFS
 FEMELLE 90° ORFS
 DK 90° BOGEN ORFS UNF STIRNDICHTEND
 HEMBRA GIRATORIA A 90° ORFS

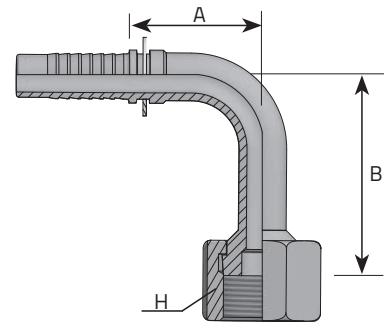
* CRIMPED NUT
 DADO PINZATO



Code	Tube			Thread		Dimensions			Pressure	
	D.N.	Hose	Diam	T	t/1"	H	B	A	Bar	Psi
	Inch	mm	Inch	mm	mm	mm	mm			
F900RFS0406	-4	1/4"	6.4	9/16"	18	17	29.5	28	450	6526
F900RFS0409	-4	1/4"	6.4	11/16"	16	22	30	28	450	6526
F900RFS0411	-4	1/4"	6.4	13/16"	16	24	32	29.5	450	6526
F900RFS0509	-5	5/16"	7.9	11/16"	16	22	29	29	350	5076
* F900RFS0606	-6	3/8"	9.5	9/16"	18	19	44	32.5	445	6454
F900RFS0609	-6	3/8"	9.5	11/16"	16	22	29	36	445	6454
F900RFS0611	-6	3/8"	9.5	13/16"	16	24	32	34	445	6454
* F900RFS0809	-8	1/2"	12.8	11/16"	16	22	51	40.5	415	6019
F900RFS0811	-8	1/2"	12.8	13/16"	16	24	36	37.5	415	6019
F900RFS0813	-8	1/2"	12.8	1"	14	30	39	39	415	6019
F900RFS0814	-8	1/2"	12.8	1.3/16"	12	36	41	38	415	6019
F900RFS1013	-10	5/8"	16	1"	14	30	43.5	51.5	350	5076
F900RFS1014	-10	5/8"	16	1.3/16"	12	36	48	46.5	350	5076
F900RFS1214	-12	3/4"	19	1.3/16"	12	36	49	56	350	5076
F900RFS1215	-12	3/4"	19	1.7/16"	12	41	54	56.5	350	5076
* F900RFS1614	-16	1"	25.4	1.3/16"	12	36	85	70	280	4061
F900RFS1615	-16	1"	25.4	1.7/16"	12	41	59.5	74	280	4061
F900RFS2021	-20	1.1/4"	31.8	1.11/16"	12	50	75.5	90	210	3046
F900RFS2432	-24	1.1/2"	38.1	2"	12	60	84	99	185	2683

ORFS FEMALE SWIVEL - 90° ELBOW - LONG DROP

FEMMINA 90° ORFS LONG DROP
 FEMELLE 90° ORFS
 DK 90° BOGEN ORFS UNF STIRNDICHTEND
 HEMBRA GIRATORIA A 90° ORFS

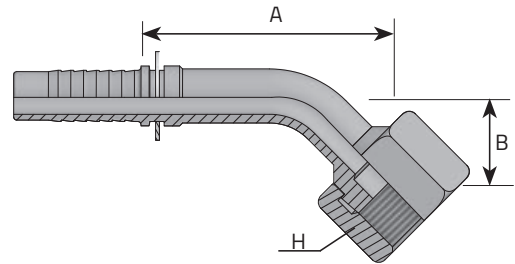


Code	Tube		Thread		Dimensions			Pressure		
	D.N.	Hose	Diam	T	t/1"	H	B	A	Bar	Psi
	Inch	mm	Inch		mm	mm	mm			
F90ORFS0406LD	-4	1/4"	6.4	9/16"	18	17	45	26.5	450	6526
F90ORFS0609LD	-6	3/8"	9.5	11/16"	16	22	51.5	32	445	6454
F90ORFS0611LD	-6	3/8"	9.5	13/16"	16	24	51	36	445	6454
F90ORFS0811LD	-8	1/2"	12.8	13/16"	16	24	63	37.5	415	6019
F90ORFS0813LD	-8	1/2"	12.8	1"	14	30	64	37	415	6019
F90ORFS1013LD	-10	5/8"	16	1"	14	30	63	45	350	5076
F90ORFS1014LD	-10	5/8"	16	1.3/16"	12	36	71	45	350	5076
F90ORFS1214LD	-12	3/4"	19	1.3/16"	12	36	90	51	350	5076
F90ORFS1615LD	2-16	1"	25.4	1.7/16"	12	41	108	69	280	4061

ORFS FEMALE SWIVEL - 45° ELBOW

FEMMINA 45° ORFS
 FEMELLE 45° ORFS
 DK 45° BOGEN ORFS UNF STIRNDICHTEND
 HEMBRA GIRATORIA A 45° ORFS

* CRIMPED NUT
 DADO PINZATO



Code	Tube		Thread		Dimensions				Pressure	
	D.N.	Hose	Diam	T	t/1"	H	B	A	Bar	Psi
		Inch	mm	Inch		mm	mm	mm		
F45ORFS0406	-4	1/4"	6.4	9/16"	18	17	15	45	450	6526
F45ORFS0409	-4	1/4"	6.4	11/16"	16	22	15.5	45.5	450	6526
F45ORFS0411	-4	1/4"	6.4	13/16"	16	24	18	49	450	6526
F45ORFS0509	-5	5/16"	7.9	11/16"	16	22	15.5	46	350	5076
* F45ORFS0606	-6	3/8"	9.5	9/16"	18	19	24	55	445	6454
F45ORFS0609	-6	3/8"	9.5	11/16"	16	22	13	51	445	6454
F45ORFS0611	-6	3/8"	9.5	13/16"	16	24	17	52	445	6454
* F45ORFS0809	-8	1/2"	12.8	11/16"	16	22	26	72	415	6019
F45ORFS0811	-8	1/2"	12.8	13/16"	16	24	18	58	415	6019
F45ORFS0813	-8	1/2"	12.8	1"	14	30	20	61	415	6019
F45ORFS0814	-8	1/2"	12.8	1.3/16"	12	36	24	62	415	6019
F45ORFS1013	-10	5/8"	16	1"	14	30	20	55	350	5076
F45ORFS1014	-10	5/8"	16	1.3/16"	12	36	21	57	350	5076
F45ORFS1214	-12	3/4"	19	1.3/16"	12	36	23	58	350	5076
F45ORFS1215	-12	3/4"	19	1.7/16"	12	41	27	62.5	350	5076
* F45ORFS1614	-16	1"	25.4	1.3/16"	12	36	43	96.5	280	4061
F45ORFS1615	-16	1"	25.4	1.7/16"	12	41	26	81	280	4061
F45ORFS2021	-20	1.1/4"	31.8	1.11/16"	12	50	34	93	210	3046
F45ORFS2432	-24	1.1/2"	38.1	2"	12	60	45	112	185	2683