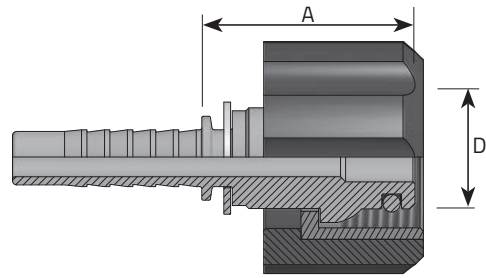


## WATERJET CLEANER FEMALE - FK TYPE

FEMMINA PER IDROPULTRICI TIPO "FK"  
 FEMELLE SÉRIE "FK"  
 DKR FÜR HOCHDRUCKREINIGER – "FK" SERIE  
 HEMBRA PARA HIDROLAVADORA – SERIE "FK"

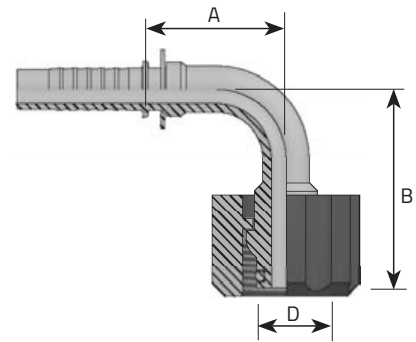
\* Hobby applications  
 Uso Hobbistico



Code	Tube		Thread			Dimensions		Pressure	
	D.N.	Hose	Diam	T	t/1"	D	A	Bar	Psi
	Inch		mm	mm		mm	mm		
FDW0422T14	-4	1/4"	6.4	M22 x1.5		14	33	400	5801
FDW0422T15	-4	1/4"	6.4	M22 x1.5		15	33	400	5801
* FDW0422T15L	-4	1/4"	6.4	M22 x1.5		15	40	400	5801
FDW0522T14	-5	5/16"	7.9	M22 x1.5		14	33	400	5801
FDW0522T15	-5	5/16"	7.9	M22 x1.5		15	33	400	5801
* FDW0522T15L	-5	5/16"	7.9	M22 x1.5		15	40	400	5801
FDW0622T14	-6	3/8"	9.5	M22 x1.5		14	33	400	5801
FDW0622T15	-6	3/8"	9.5	M22 x1.5		15	33	400	5801

## WATERJET CLEANER FEMALE 90° ELBOW- FK TYPE

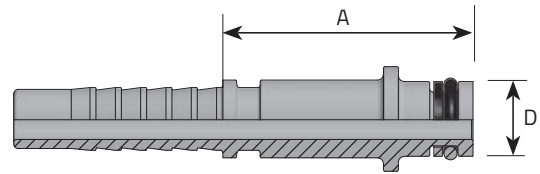
FEMMINA 90° PER IDROPULTRICI TIPO "FK"  
 FEMELLE 90° SÉRIE "FK"  
 DK 90° FÜR HOCHDRUCKREINIGER – "FK" SERIE  
 HEMBRA 90° PARA HIDROLAVADORA – SERIE "FK"



Code	Tube		Thread		Dimensions			Pressure		
	D.N.	Hose	Diam	T	t/1"	D	A	B	Bar	Psi
	Inch		mm	mm		mm	mm	mm		
F90W0422T14	-4	1/4"	6.4	M22 x1.5		14	27.5	44.5	400	5801
F90W0522T14	-5	5/16"	7.9	M22 x1.5		14	32	44.5	400	5801
F90W0622T14	-6	3/8"	9.5	M22 x1.5		14	35	47	400	5801

## PISTOL WASH CLEANER JUNCTION

ATTACCO PER PISTOLE IDROPULTRICI  
 JONCTION POUR WASHCLEANER  
 VERBINDUNG FÜR HOCHDRUCKREINIGER  
 UNIÓN PARA HIDROLAVADORA



Code	Tube			Thread	Dimensions		Pressure	
	D.N.	Hose	Diam		D	A	Bar	Psi
	Inch	mm	mm		mm	mm		
FW04D10	-4	1/4"	6.4		10	33.5		
FW04D11	-4	1/4"	6.4		11	33.5		
FW05D10	-5	5/16"	7.9		10	33.5		
FW05D11	-5	5/16"	7.9		11	33.5		