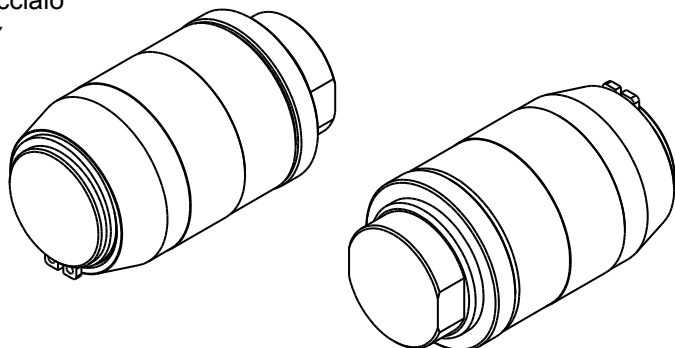


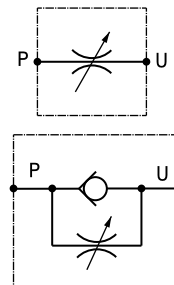
Strozzatore / Strozzatore unidirezionale  
 Needle valve / unidirectional needle valve  
 mod. ST / STU

Corpo in acciaio  
 Steel body

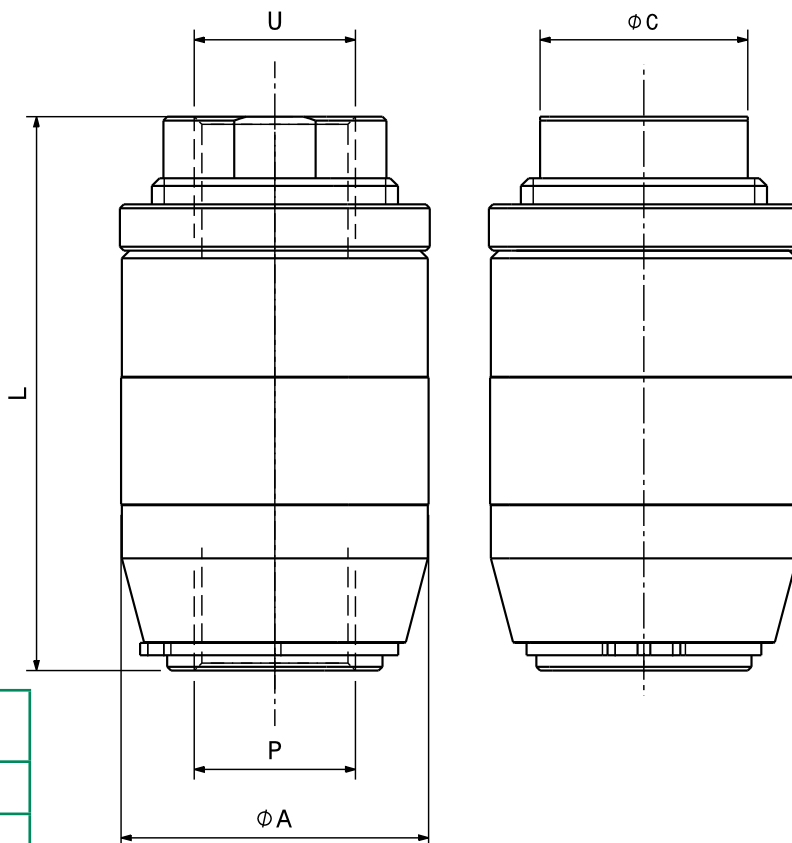


bidirezionale  
 bidirectional

unidirezionale (U)  
 unidirectional (U)



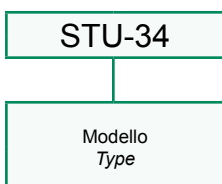
| Modello<br>Type | PU       | A  | L   | C  | Portata<br>massima<br>Max flow | Pressione<br>max<br>Max pressure |
|-----------------|----------|----|-----|----|--------------------------------|----------------------------------|
| ST-14           | 1/4" GAS | 27 | 61  | 17 | 25 l/min<br>6.6 gpm            | 350 bar<br>5000 psi              |
| STU-14          | 1/4" GAS | 27 | 61  | 17 | 25 l/min<br>6.6 gpm            | 350 bar<br>5000 psi              |
| ST-38           | 3/8" GAS | 34 | 72  | 24 | 40 l/min<br>10.5 gpm           | 350 bar<br>5000 psi              |
| STU-38          | 3/8" GAS | 34 | 72  | 24 | 40 l/min<br>10.5 gpm           | 350 bar<br>5000 psi              |
| ST-12           | 1/2" GAS | 40 | 72  | 27 | 60 l/min<br>16 gpm             | 350 bar<br>5000 psi              |
| STU-12          | 1/2" GAS | 40 | 72  | 27 | 60 l/min<br>16 gpm             | 350 bar<br>5000 psi              |
| ST-34           | 3/4" GAS | 50 | 100 | 32 | 120 l/min<br>32 gpm            | 350 bar<br>5000 psi              |
| STU-34          | 3/4" GAS | 50 | 100 | 32 | 120 l/min<br>32 gpm            | 350 bar<br>5000 psi              |
| ST-10           | 1" GAS   | 60 | 115 | 41 | 200 l/min<br>53 gpm            | 300 bar<br>4300 psi              |
| STU-10          | 1" GAS   | 60 | 115 | 41 | 200 l/min<br>53 gpm            | 300 bar<br>4300 psi              |



Dati e tarature ottenuti usando olio con viscosità 30 cSt a 50°C  
 Performances and calibrations are carried out by using hydraulic oil with 30 cSt viscosity at 50°C

|  |              |
|--|--------------|
| Viscosità consigliate<br>Recommended viscosity | 10 ÷ 420 cSt |
| Temperature di lavoro<br>Working temperature   | -20 ÷ +90 °C |
| Filtrazione assoluta<br>Absolute filtration    | 25 μ         |

Sigla di ordinazione / Ordering code



I dati non sono impegnativi, **CBF** si riserva di apportare modifiche senza preavviso.  
 The specifications are not binding, **CBF** reserves the right to introduce modifications without notice.