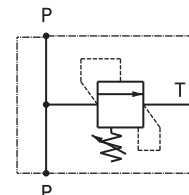
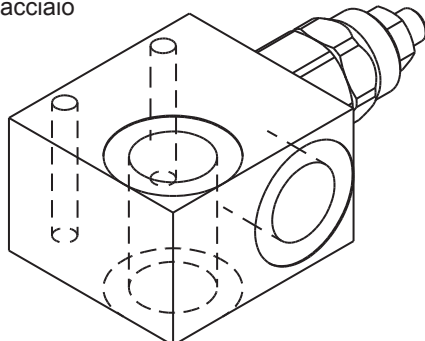


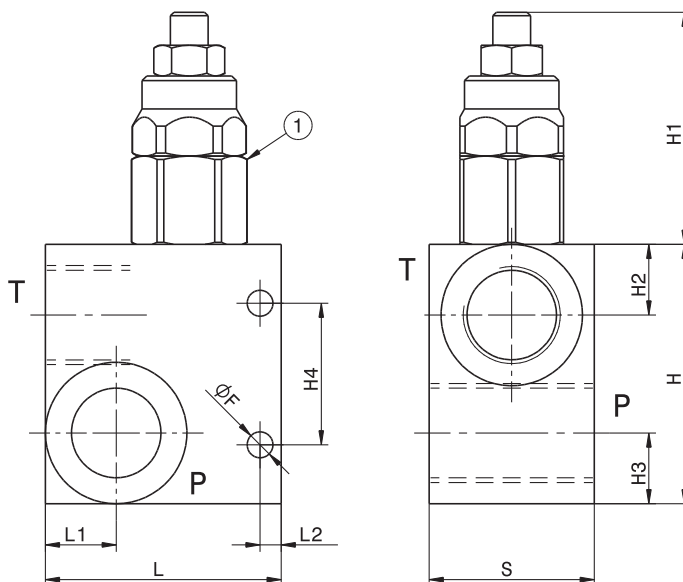
Valvola limitatrice di pressione
Relief valve
mod. VLP-L

Versione con corpo in alluminio o in acciaio
Aluminium or steel body version



Modello Type	P, T	Pressione max. Max. pressure	Portata max Max. flow
VLP40-L-14	1/4" GAS	350 bar 5000 psi	25 l/min 6.6 gpm
VLP40-L-38	3/8" GAS	350 bar 5000 psi	35 l/min 9 gpm
VLP40-L-12	1/2" GAS	350 bar 5000 psi	40 l/min 10.5 gpm
VLP80-L-12	1/2" GAS	300 bar 4300 psi	80 l/min 21 gpm
VLP80-L-34	3/4" GAS	300 bar 4300 psi	80 l/min 21 gpm
VLP130-L-34	3/4" GAS	300 bar 4300 psi	130 l/min 34 gpm
VLP130-L-10	1" GAS	300 bar 4300 psi	130 l/min 34 gpm

Taratura Setting		
Codice Code	Taratura standard Standard setting (Q=5 l/min)	Campo di taratura Adj. Pressure range
00	40 bar 580 psi	5÷40 bar 72.5÷580 psi
01	80 bar 1160 psi	20÷100 bar 290÷1450 psi
02	180 bar 2600 psi	40÷250 bar 580÷3600 psi
03	250 bar 3600 psi	60÷350 bar 870÷5000 psi


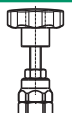
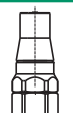



For flow diagram see performance of cartridge

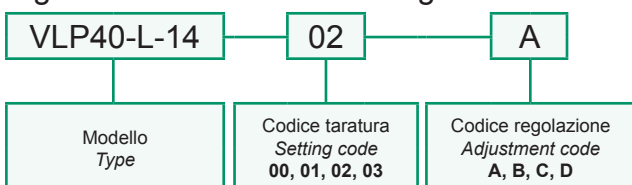
Dati e tarature ottenuti usando olio con viscosità 30 cSt a 50°C
Performances and calibrations are carried out by using hydraulic oil with 30 cSt viscosity at 50°C

Viscosità consigliate Recommended viscosity	10 ÷ 420 cSt
Temperature di lavoro Working temperature	-20 ÷ +90 °C
Filtrazione assoluta Absolute filtration	25 µ

Regolazioni
Adjustments

A  Vite esterna esagono incassato Leakproof hex socket screw	B  Volantino e dado Handknob and locknut	C  Piombatura Sealing cap	D  Cappellotto Cap
---	---	--	---

Sigla di ordinazione / Ordering code



Modello Type	①	L	L1	L2	H	H1	H2	H3	H4	F	S
VLP40-L-14	VLP40C	50	16	4.5	50	50	14	11	30	5.5	30
VLP40-L-38	VLP40C	50	16	4.5	50	50	15	14	30	5.5	30
VLP40-L-12	VLP40C	50	15	4.5	55	50	15	15	30	5.5	35
VLP80-L-12	VLP80C	60	18	6	70	62	17	18.5	58	6.5	35
VLP80-L-34	VLP80C	70	22	7	70	62	20	20	58	6.5	40
VLP130-L-34	VLP130CD	70	22	7	90	62	20	22	76	8.5	40
VLP130-L-10	VLP130CD	80	27.5	7	90	62	23	25	76	8.5	50

I dati non sono impegnativi, CBF si riserva di apportare modifiche senza preavviso.
The specifications are not binding, CBF reserves the right to introduce modifications without notice.